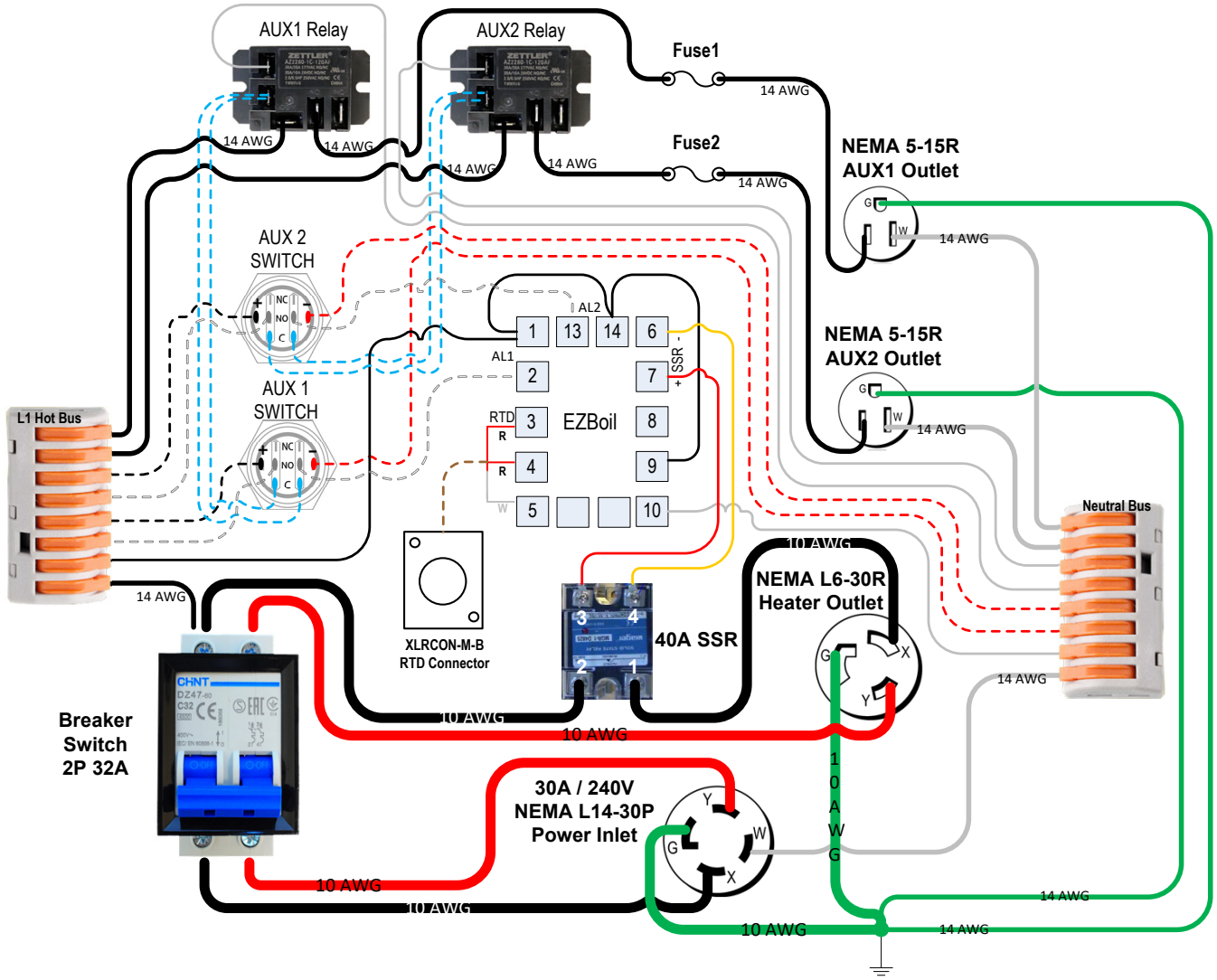


KIT-CUBE2S-US240 Wiring Diagram



Legend	
——	L1 Hot Line 10 AWG
——	L2 Hot Line 10 AWG
——	Ground Wire 10 AWG
——	L1 Hot Line 14 AWG
——	N Neutral Line 14 AWG
——	Ground Wire 14 AWG
- - - -	PT100 RTD Extension Wire
——	L1 Control Line 22/24 AWG
——	Neutral Control Line 22/24 AWG
——	SSR Input Positive Line 22/ 24 AWG
——	SSR Input Negative Line 22/ 24 AWG
- - - -	Switch LED (+) Control Line (wiring harness)
- - - -	Switch LED (-) Control Line (wiring harness)
- - - -	Switch NO Control Line (wiring harness)
- - - -	Switch COM Control Line (wiring harness)