

SW1 Switch Manual

Version 1.0

Specifications

Operation Current Rating: 10A at 240 or 120V AC
Number of Contact: 2 Normally Open
Illumination Type: LED
Illumination color: Red, Blue or Green
Illumination Voltage: 240 or 120VAC
Mounting Cutout: 22.5 mm (7/8 Inch) In Diameter
Length Behind the Mounting Panel: 70 mm (2.75")

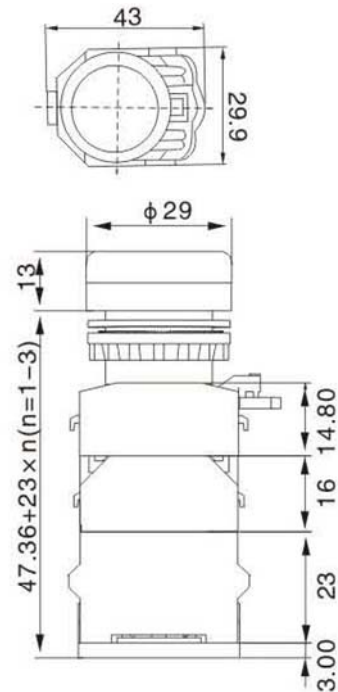
Features

After detaching the head of the switch, mount the head to the panel by screwing the nut tightly. Then reattach the switch body together

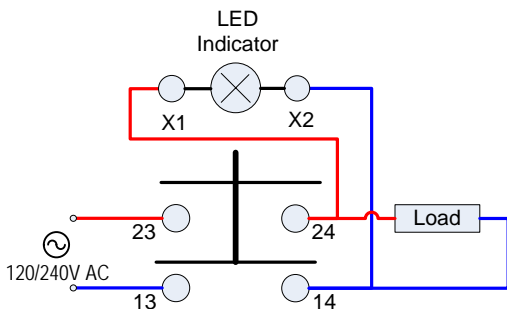


Push the white plate to unlock the head of the switch

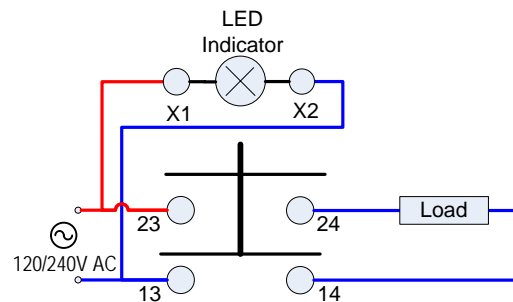
Dimensions (mm)



Typical wiring



The indicator is on when the switch is closed



The indicator is always on

Auber Instruments
www.auberins.com
770-569-8420

Copyright 2007-2015, Auber Instruments All Rights Reserved.

No part of this manual shall be copied, reproduced, or transmitted in any way without the prior, written consent of Auber Instruments. Auber Instruments retains the exclusive rights to all information included in this document.