

Instruction Manual

SYL-1813 Multifunction Automotive Gauge

Version 1.9.1 (Apr 2017)

A. Specifications

- Power supply: 12 VDC (isolated)
- Power consumption: < 2 W
- Sampling rate: 4 samples/second
- Accuracy: 0.2% full scale ± 1
- Display range: -1999 ~ 9999
- Relay contact rating: 3 A @ 220 VAC
- Outside dimensions: 48 x 24 x 75 mm
- Mounting cutout dimension: 45 x 22 mm
- LED display: 0.28"
- Working condition: 0 ~ 50°C, $\leq 85\%$ RH

B. Front Panel

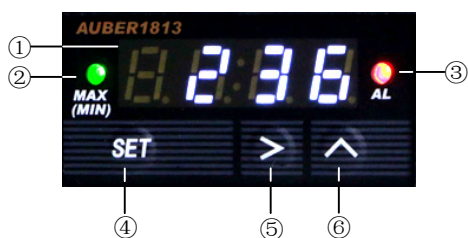


Figure 1. Front panel of SYL-1813.

- ① Display window
- ② Maximum and Minimum value indicator
- ③ Alarm and relay J1 indicator
- ④ Set key
- ⑤ Shift key
- ⑥ Up key

Description

1. LED display window to show readings from the sensor.
2. MAX (MIN) on when Display window shows the maximum value or the time of the Max. MAX (MIN) blinking when Display window shows the minimum value or the time of Min.
3. AL on indicates alarm is on and J1 relay is pulled in (closed).
4. Set key. To enter parameter setting mode, and to select or save parameters.
5. Shift key (>). In the parameter setting mode, press this key to select the digit to be changed. In the normal operation mode, press this key to change the display in the sequence as shown in the diagram below. Please note that time is expressed in Hour.Minute (hh.mm) format.

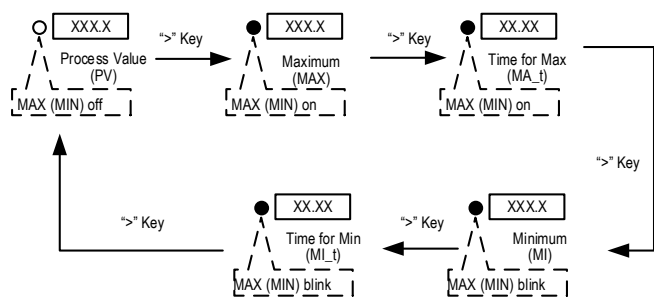


Figure 2. Check the peak values on the gauge by pressing Shift key.

6. Up key (^). In the parameter setting mode, press it to increase the displayed value. When displaying Max/Min, press and hold it for 3 seconds to clear the

Max/Min stored. In normal function, this key has two functions, show operation time and change display brightness. Press and hold it down to show the operation time since on. Release the key to show the current temperature (process value). Each time the key is pressed, the display brightness will also be changed from bright to dim or from dim to bright.

C. Terminal Assignment

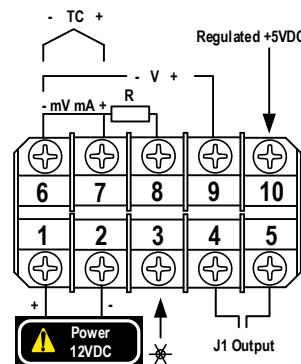


Figure 3. Terminal assignment of SYL-1813 gauge.

Description

1. Terminal 1 (+) and 2 (-) are for power input.
2. Terminal 3 is for display brightness control. When connecting the illumination signal (+12 V) to it, the brightness with synchronized with headlight. If not connected, the brightness can still be controlled by “^” up key.
3. Terminal 4 and 5 are for alarm relay output. See Application example 1 below for how to use it.
4. Terminal 6, 7, 8, and 9 are for different types of input signal. Use 6 and 7 for thermocouple input. Use 6, 7, and 8 for RTD sensor input. Use 6 and 9 for pressure sensor.
5. Terminal 10 supplies a regulated +5VDC for powering pressure transducer.

D. Parameter Setting

D.1 Basic parameter (press SET key then input code 0089 to enter)

D.1.A) Basic parameter description

Symbol	Name	Description	Setting Range	Initial Setting	Note
<i>Inty</i>	Inty	Input Type	See Table 1	<i>P</i>	
<i>dot</i>	Dot	Decimal Point	0000 ~ 0.000	00.00	4
<i>PuL</i>	PuL	Scale Low	-1999 ~ 9999	00.00	4
<i>PuH</i>	PuH	Scale High	-1999 ~ 9999	03.15	4
<i>PSb</i>	Psb	Zero offset	-1000 ~ 1000	0	1
<i>PSbF</i>	PSbF	Range Coefficient	0.500 ~ 2.000	1.000	2
<i>CorF</i>	CorF	Temperature Unit	C: °C; F: °F	F	
<i>FILT</i>	FILT	Digital Filter	0 ~ 3	0	3
<i>End</i>	End	Exit			

Note 1: For correcting the offset at zero: Display = measurement + PSb. This parameter only applies to temperature sensors.

Note 2: For correcting the error at Max: Display = measurement x PSbF.

Note 3: Digital filter. Filt = 0, no filter; 1, weak; 2, medium; 3, strong.

Note 4: These parameters define the scale boundary and resolution of the display value. They do not apply to temperature sensors.

Table 1. Sensor Input Type Options

Symbol	Input Type	Range	Res.	Accy.	Impedance
<i>l</i>	TC, Type T	-200 ~ 400°C	1°C (°F)	0.3%	100K
<i>r</i>	TC, Type R	-50 ~ 1600°C	1°C (°F)	0.3%	100K
<i>j</i>	TC, Type J	-200 ~ 1200°C	1°C (°F)	0.2%	100K
<i>W r E</i>	TC, WRe3 - WRe25	0 ~ 2300°C	1°C (°F)	0.2%	100K
<i>u d o</i>	VDO water/oil Temp	50 ~ 150°C	1°C (°F)	0.3%	(0.2mA)
<i>S</i>	TC, Type S	-50 ~ 1600°C	1°C (°F)	0.3%	100K
<i>P</i>	TC, Type K	-200 ~ 1300°C	1°C (°F)	0.2%	100K
<i>E</i>	TC, Type E	-200 ~ 900°C	1°C (°F)	0.2%	100K
<i>P 100</i>	RTD, PT100	-200 ~ 600°C	1°C (°F)	0.2%	(0.2mA)
<i>E u 50</i>	RTD, Cu50	-50.0 ~ 150.0°C	0.1°C (°F)	0.5%	(0.2mA)
<i>375 r</i>	0 ~ 375 Ω Pressure	Display range can be set to -1999 ~ 9999	16 bit A/D	0.2%	(0.2mA)
<i>75 n u</i>	0 ~ 75 mV Current			0.1%	100K
<i>30 n u</i>	0 ~ 30 mV			0.1%	100K
<i>5 u</i>	0 ~ 5 V			0.1%	100K
<i>1-5 u</i>	1 ~ 5 V			0.1%	100K
<i>10 u</i>	10 V			0.1%	100K
<i>10 n A</i>	0 ~ 10 mA			0.3%	150Ω
<i>20 n A</i>	0 ~ 20 mA			0.2%	150Ω
<i>4-20 n A</i>	4 ~ 20 mA			0.2%	150Ω

(Note: TC, thermocouples.)

D.1.B) How to change basic parameters (see Figure 4)

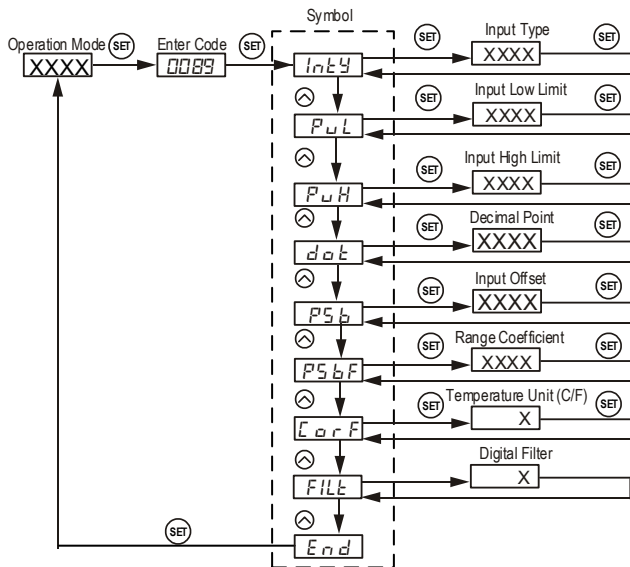


Figure 4. Basic Parameter Setting Flow Chart.

D.2 Alarm parameter (press SET then input code 0001 to enter)

D.2.A) Alarm parameters description

Symbol	Name	Description	Setting Range	Initial Setting	Note
<i>AH1</i>	AH1	J1 pull in value	-1999 ~ 9999	900	5a
<i>AL1</i>	AL1	J1 drop out value	-1999 ~ 9999	800	5a
<i>AH2</i>	AH2	(Not available to this gauge)	----	900	5b
<i>AL2</i>	AL2	(Not available to this gauge)	----	800	5b
<i>End</i>	End	Exit			

Note 5a. J1 Relay action setting.

- 1) Set AH1 = AL1, relay is disabled.
- 2) Set AH1 > AL1, relay is for high limit alarm. See Figure 5 (left).
- 3) Set AH1 < AL1, relay is for low limit alarm. See Figure. 5 (right).

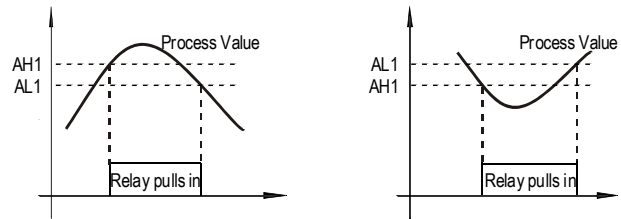


Figure 5. Reply (J1) action when the alarm is set as high alarm (left) and low alarm (right).

Note 5b. AH2 and AL2 are parameters should be ignored on this gauge. They are associated with J2 relay, which is not available on this gauge.

D.2.B) How to change alarm parameters

The procedure to change alarm parameters is similar to the procedure for basic parameter setting shown in Figure 4 except the access code is 0001 instead of 0089.

D.3. Peak value (press SET then input code 1037 to enter)

D.3.A) Peak value description

Symbol	Name	Description	Setting Range	Initial Setting	Note
<i>n A</i>	MA	Maximum value	On/off	On	6
<i>n A-t</i>	MA-t	Time of maximum	On/off	Off	6
<i>n l</i>	MI	Minimum value	On/off	Off	6
<i>n l-t</i>	MI-t	Time of minimum	On/off	Off	6
<i>End</i>	End	Exit			

Note 6, Peak function is inter-locked.

- 1) When MA is turned off, MA-t can't be set to "on".
- 2) When MI is turned off, MI-t can't be set to "on".

D.3.B) How to change peak value parameters

The procedure to change the peak value settings is similar to the procedure for changing basic parameters in Figure 4 except access code is 0037 instead of 0089.

D.3.C) Reset the peak value

The peak values are stored in the memory even the meter is powered off. To reset them, change display to show MA, MA-t, MI or MI-t. Then, press and hold "Λ" key for 3 seconds. The display will show "----", indicating the memory (for all four parameters) is reset. The meter will start to catch the new peak after 2 seconds.

E. Application Examples

E.1 Exhaust gas temperature (EGT) probe

Auber's EGT probes are type K thermocouples. To read an Auber's EGT probe, set the sensor type *Inty* to "k" (P). The gauge is preset for the EGT application. Wire the gauge as the diagram below (Figure 6) and it is ready to go.

(Continue on the next page)

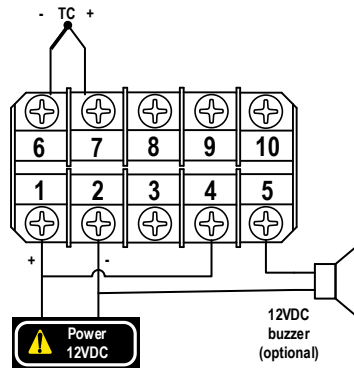


Figure 6. Wire the SYL-1813 with an EGT probe and an alarm buzzer.

E.2 Pressure transducers

Here is a brief description of how to set up the gauge for reading an Auber-103, 3 Bar MAP Sensor.

- Identify the power, signal, and ground wires on the pressure sender (please refer to the manual of pressure sender). Connecting power cable to terminal 10, signal cable to terminal 9, and ground cable to terminal 6.
- To display the pressure in bar (with 0.01 bar resolution), enter the Basic Parameter Setting Mode using access code 0089, change the input type **Inty** to "5v" input (5v), then set **dot** = 00.00, **PuL** = 00.01, and **PuH** = 03.15.
- To display the pressure in PSI (with 0.1 PSI resolution), enter the Basic Parameter Setting Mode with access code 0089, change the input type **Inty** to "5v" input (5v), then set **dot** = 000.0, **PuL** = 000.2, and **PuH** = 045.7.

E.3 Water/oil temperature sensor

If a VDO 150°C/300°F sender is used to read water/oil temperature, here is the basic settings.

- Connect the VDO sender to terminal 8; jump a wire between terminal 6 and 7; jump another wire between terminal 2 and 6.
- Enter the Basic Parameter Setting Mode using code 0089; set input type **Inty** = vdo; and set **CorF** to "C" or "F" for desired temperature unit.

Auber Instruments Inc.

5755 North Point Parkway, Suite 99,
 Alpharetta, GA 30022
www.auberins.com
 Email: info@auberins.com
 Tel: 770-569-8420

Copyright 2007-2017, Auber Instruments All Rights Reserved.

No part of this manual shall be copied, reproduced, or transmitted in any way without the prior, written consent of Auber Instruments. Auber Instruments retains the exclusive rights to all information included in this document.