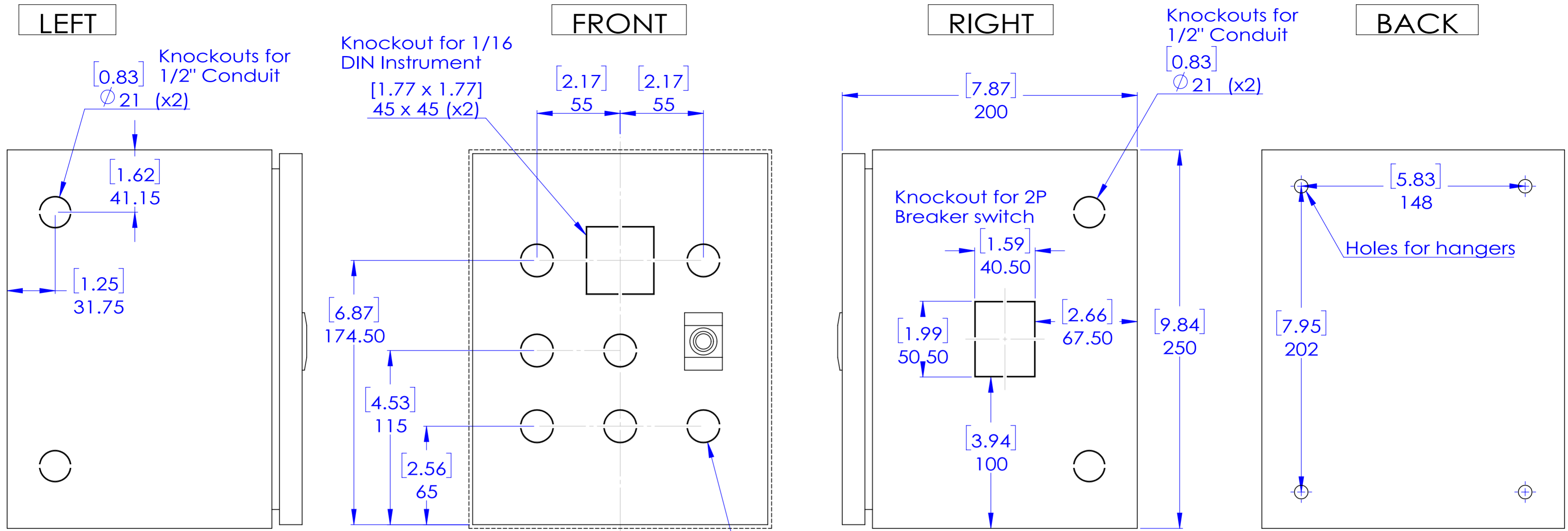
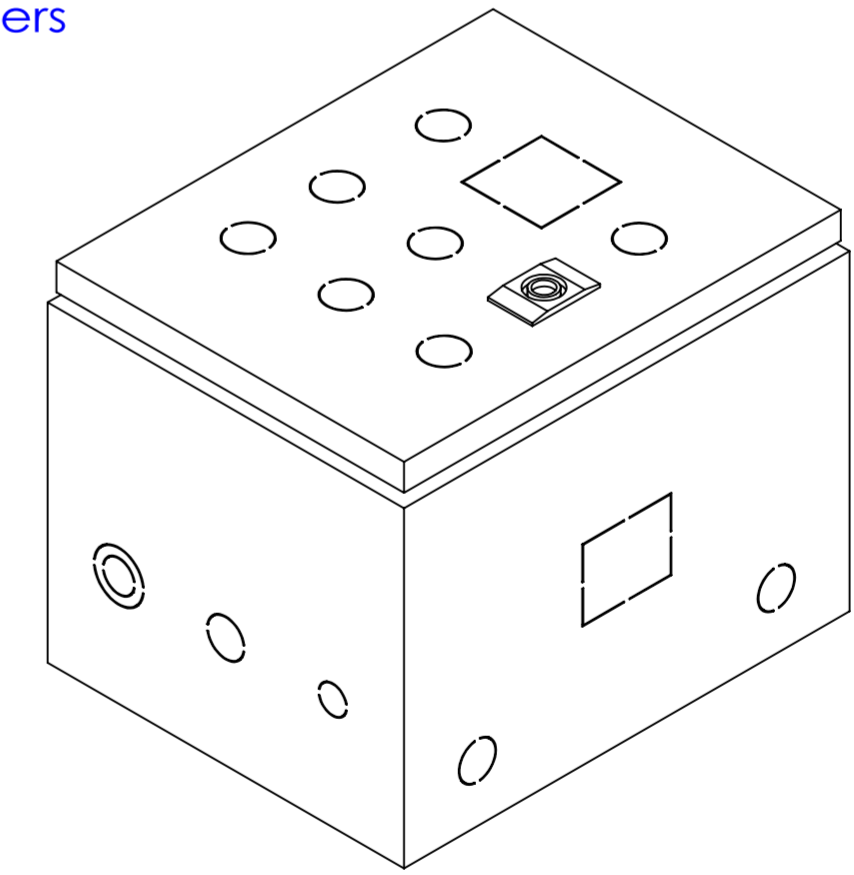
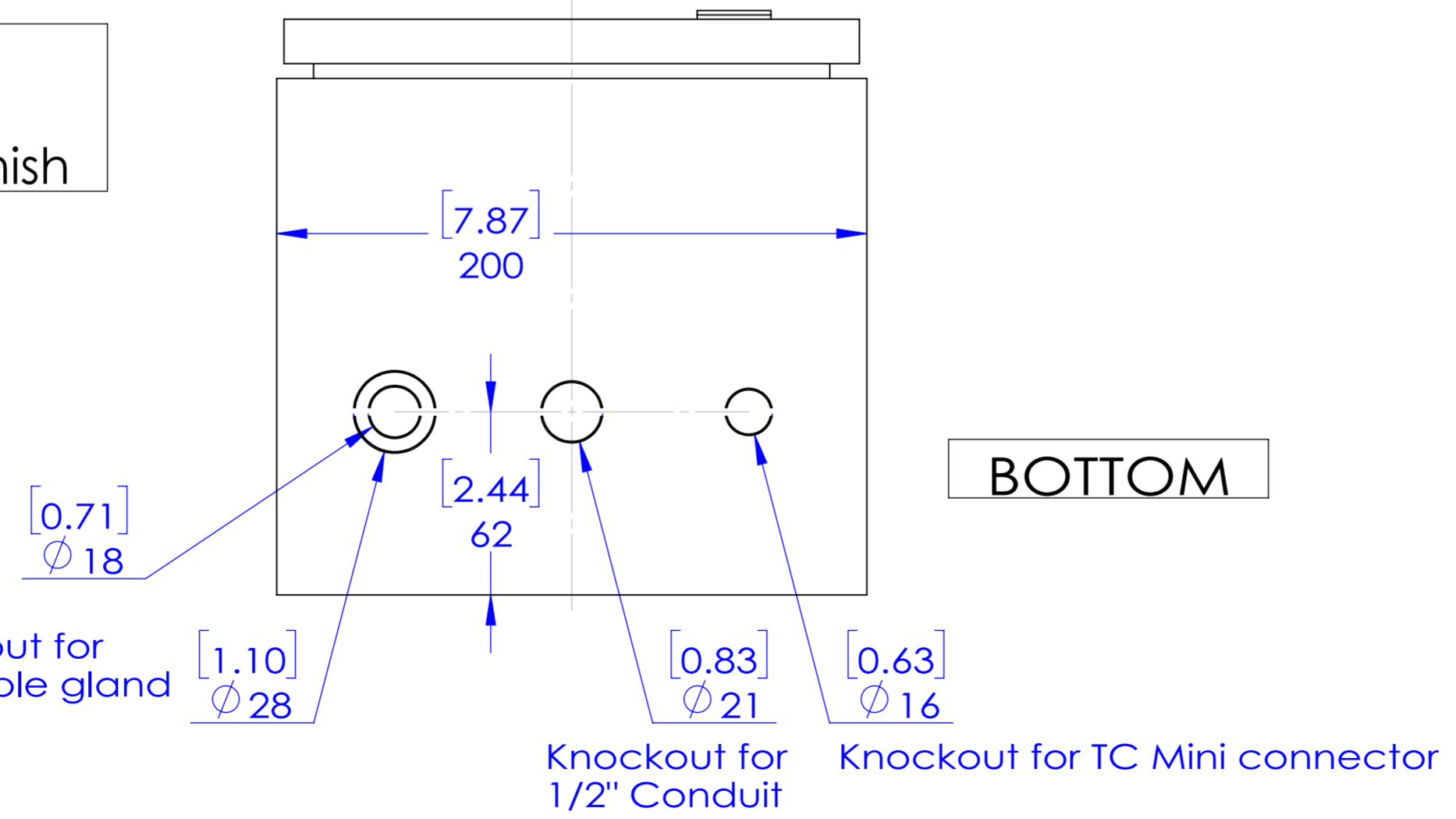


Copyright © 2019 Auber Instruments Inc. All rights reserved. No part of this datasheet shall be copied, reproduced, or transmitted in any way without prior, written consent of Auber Instruments. Auber Instruments retains the exclusive rights to all information included in this document.



[0.87] $\phi 22$ (x7) Knockouts for 22mm Switches/Indicators/Buzzers

Units = mm [inches]
 Material : Steel
 Beige powder coating finish



This data sheet is for reference only. Auber Instruments reserves the rights to make changes to the design without prior notice.

Auber Instruments, Inc.		
250x200x200mm [9.84x7.87x7.87]		
TITLE: Data Sheet		
DWG NO. B252020P	5/2/2019	A2
SHEET 1 OF 1		