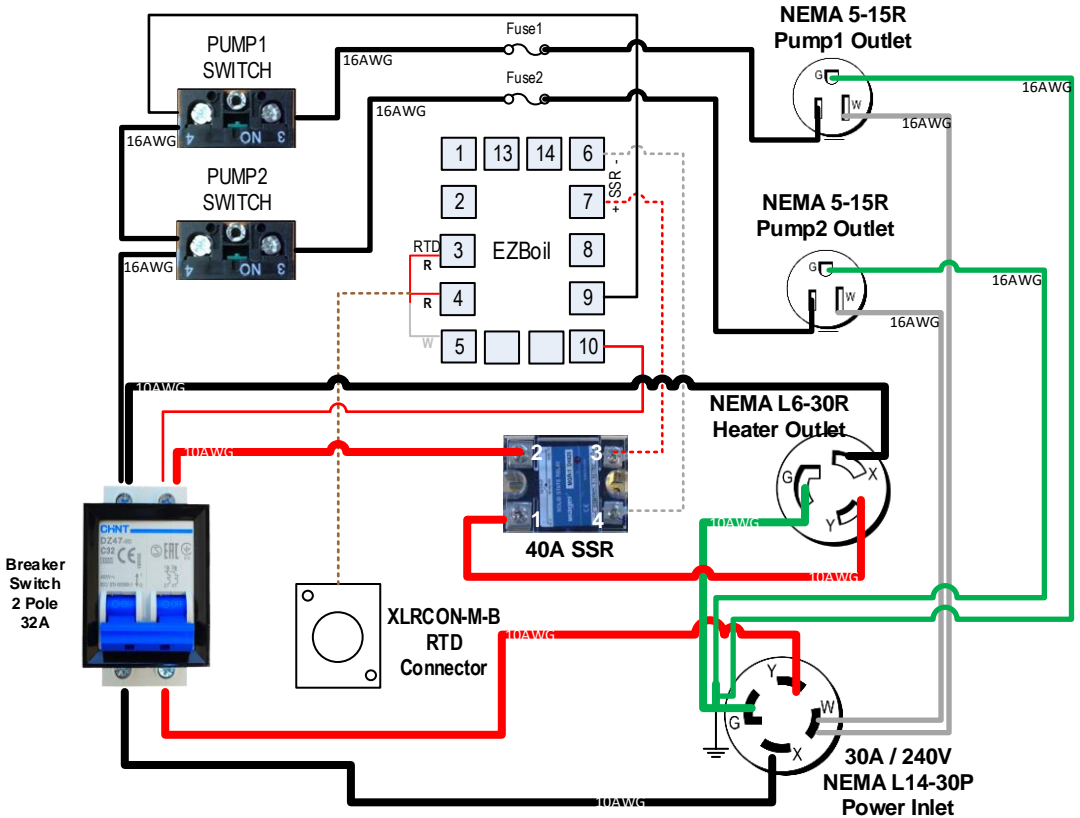


KIT-CUBE1 Wiring Diagram



Legend

- L1 from 240 VAC 10 AWG (Power Line)
- L2 from 240 VAC 10 AWG (Power Line)
- Ground Wire 10 AWG
- Neutral Line 16 AWG
- Hot Control Line 16 AWG
- Ground Wire 16 AWG
- - - PT100 RTD Extension Wire
- L1 Control Line 22/24 AWG
- L2 Control Line 22/24 AWG
- - - SSR Input Positive Line 22/ 24 AWG
- - - SSR Input Negative Line 22/ 24 AWG