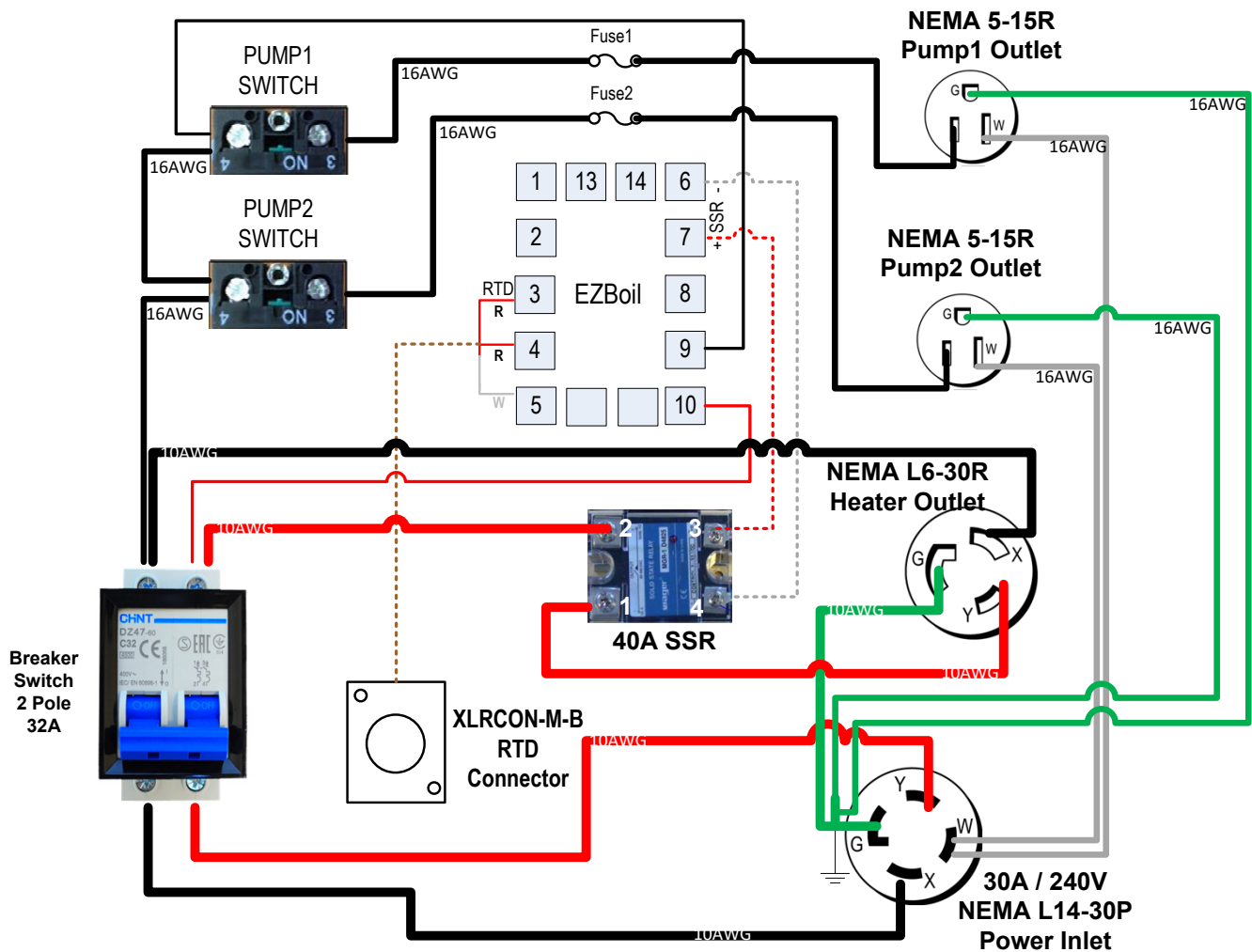


# KIT-CUBE2 Wiring Diagram



Legend	
	L1 from 240 VAC 10 AWG (Power Line)
	L2 from 240 VAC 10 AWG (Power Line)
	Ground Wire 10 AWG
	Neutral Line 16 AWG
	Hot Control Line 16 AWG
	Ground Wire 16 AWG
	PT100 RTD Extension Wire
	L1 Control Line 22/24 AWG
	L2 Control Line 22/24 AWG
	SSR Input Positive Line 22/ 24 AWG
	SSR Input Negative Line 22/ 24 AWG

Copyright © 2019  
www.auberins.com