

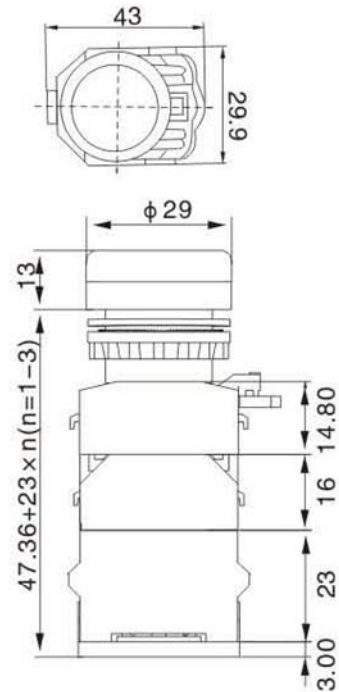
# SW11 Switch Manual

Version 1.0

## Specifications

Operation Current Rating: 10A at 240 or 120V AC  
 Number of Contact: 1 Normally Open, 1 Normally Closed  
 Illumination Type: LED  
 Illumination color: Red, Blue or Green  
 Illumination Voltage: 240 or 120VAC  
 Mounting Cutout: 22.5 mm (7/8 Inch) In Diameter  
 Length Behind the Mounting Panel: 70 mm (2.75")

## Dimensions (mm)



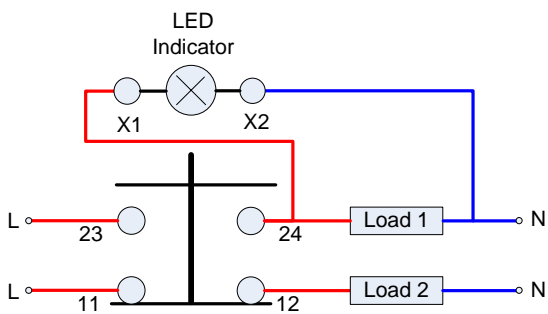
## Features

After detaching the head of the switch, mount the head to the panel by screwing the nut tightly. Then reattach the switch body together

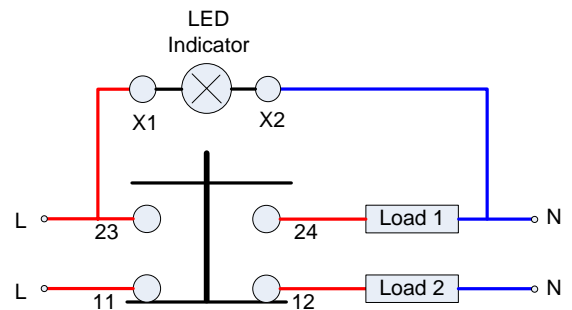


Push the white plate to unlock the head of the switch

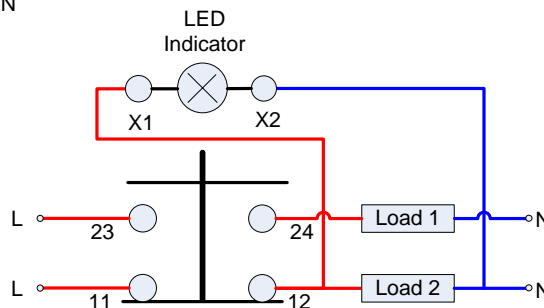
## Typical wiring



The indicator is on when the button is pushed in



The indicator is always on



The indicator is on when the button is not pushed in

Auber Instruments  
[www.auberins.com](http://www.auberins.com)  
 770-569-8420